

1983
CHRY
LeBA
SERIE



LEBARON



1983 CHRYSLER LEBARON

Like No Other Cars in America, Europe or Japan.

The Chrysler LeBarons have restored a feeling about an American car that's been missing for some time. The feeling: pride.

The Chrysler Corporation is proud to build the LeBarons as the latest example of advanced automotive technology. We've focused a lot of our engineering expertise on making the Chrysler LeBarons handsome, efficient front-wheel drive cars that are technically sound and luxurious.

Chrysler Corporation is so proud of LeBaron's quality that upon expiration of the normal 12-month/12,000-mile new vehicle limited warranty, limited warranty coverage is extended on power train components, including engine, transaxle, and axle—plus outer panel rust-through protection—to five years/50,000 miles, whichever comes first. A deductible applies. See your dealer for details.

One more thing we're proud of: the LeBaron Series is a complete line of front-wheel drive midsize cars. The LeBaron lineup includes two-door, four-door, convertible, and Chrysler Town & Country wagon.



Open up to luxury that is hard to duplicate. Put the top down on a 1983 LeBaron convertible with Mark Cross Package, shown in Brown/Tan leather.

Some of the equipment shown or described throughout this catalog is available at extra cost.



The 1984 Chrysler LeBaron, two-door, shown with two-tone Sable Blue & Large Metallic with Sun & Moon vinyl sunroof, makes a statement about how reliability can be luxurious.

Chrysler Town & Country wagon, in Sable Brown.
It provides room stylishly, without bulk.



The LeBaron four-door, in Sable Brown with full Sable Brown vinyl roof, carries people the way a contemporary car should—smartly.

About this catalog. We have tried to make this catalog as complete as possible. And we hope you find it useful. However, since the time of printing, some of the information you'll find here may have been updated. Your dealer has details, and you should ask him for current information before ordering.



A most rational way to indulge yourself—the 1983 LeBaron convertible with Mark Cross Package, shown in Sable Brown.



The 1983 LeBaron two-door, shown in Silver Crystal Coat, is an achievement achievers can appreciate.

LEBARON TWO-DOOR COUPE

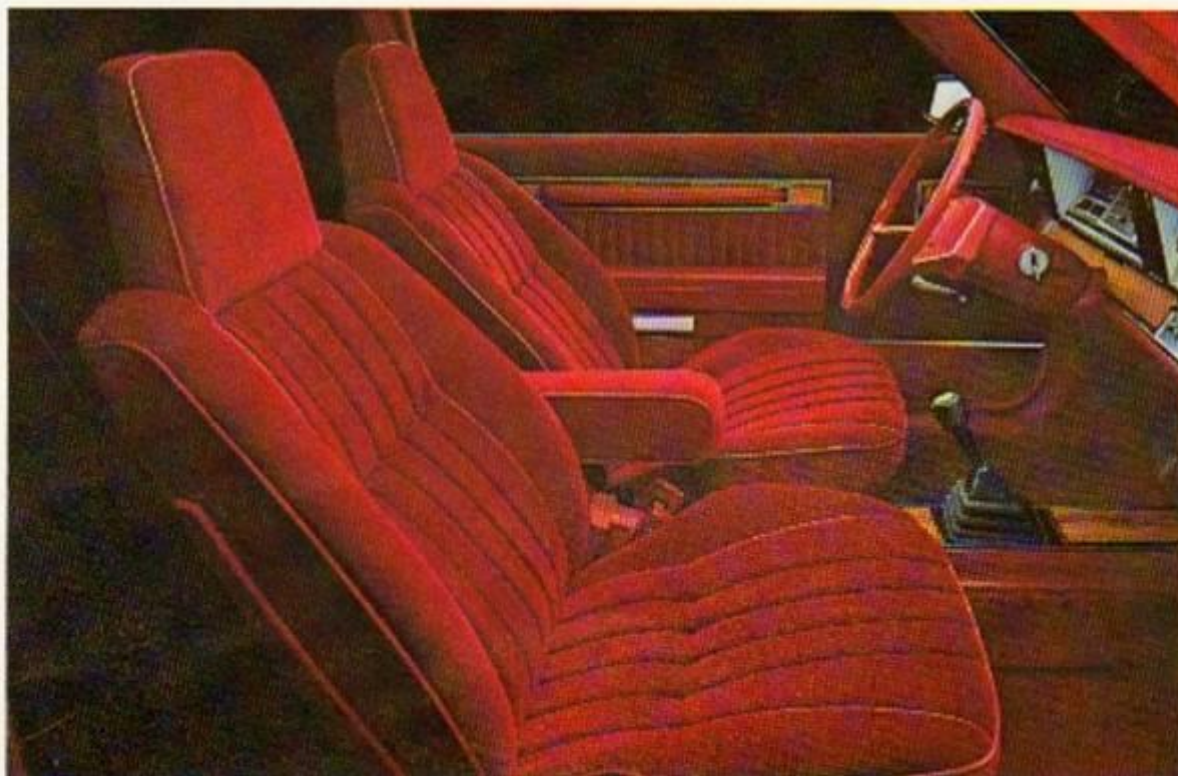
A combination of high mileage and personal luxury.

The 1983 Chrysler LeBaron is the definitive midsize car. Its sleek aerodynamic styling is a product of Chrysler Corporation's thorough design expertise. Handling is another of LeBaron's strengths. The suspension components give the car a smooth, stable ride. The Iso-Strut front suspension is combined with a linkless sway bar. The rear suspension includes a flex arm beam axle with trailing links, coil springs, and premium shock absorbers.

Special roll-resistant steel-belted radial whitewall tires and power-assisted rack-and-pinion steering combine to help provide precision control.

For 1983, LeBaron two-door, with standard 2.2-liter four-cylinder engine and a new standard five-speed manual transaxle, is rated at **28** EPA EST MPG, 44 estimated highway.*

There's no skimping on standard features. You'll find luxury wheel covers, carpeted trunk floor area, luxury steering wheel, power brakes, padded vinyl landau roof, AM radio, Pentastar hood ornament, and much more.



Efficiency and durability do not compromise comfort and luxury in LeBaron two-door. The optional cloth interior with freestanding center armrest, shown in Red.

*EPA estimates for LeBaron two-door. Use EPA EST MPG numbers for comparison. Your mileage may differ depending upon speed, weather, and trip length. Actual highway mileage will probably be lower than highway estimate. California mileage **26** EPA EST MPG; 41 estimated highway.



Midsize agility formally dressed for a night out—LeBaron four-door in Black/Burnished Silver Metallic two-tone combination, with a Black full vinyl roof.

LEBARON FOUR-DOOR SEDAN

A combination of high mileage,* luxury, and room for six.

The LeBaron four-door sedan is a shining example of how Chrysler engineering for efficiency also provides for interior room and comfort.



The body on this and all LeBarons is mounted with an extensive number of rubber bushings to isolate the interior from vibration. High-quality acoustical insulation and sealing materials are used to block out noise, weather, and road grime. Chrysler engineers even made the door latches quieter for 1983, using sound-deadening materials between all contacting parts.

The exterior is equally distinctive. Bright grille with vertical theme, bright and color-keyed bumper rub strips, bright moldings, luxury wheel covers, and padded vinyl landau roof help set it apart from other midsize cars.

Extra touches inside, such as chimes that politely tell you when you forget to buckle up, or when you leave your headlamps on or the key in the ignition, add luxury to LeBaron's value. There's an electronic digital clock, cloth-covered headliner, inside hood release, and power steering and brakes. All standard.



Luxury is a LeBaron standard, and it's shown here in the velvet cloth-and-vinyl split-back bench seat with folding center armrest (shown in Silver).

*EPA EST MPG ratings for LeBaron four-door are  EPA EST MPG: 35 estimated Highway. Use EPA EST MPG ratings for comparison. Your mileage may differ depending on speed, weather, and trip length. Actual highway mileage will probably be lower than highway estimate. California mileage:  EPA EST MPG: 35 estimated highway.



There is nothing better for the joy of top-down driving than a LeBaron convertible, shown in Crimson Red with Red vinyl bucket seats.

LEBARON CONVERTIBLE

No other car is causing so much excitement.

Excitement takes form in the 1983 LeBaron convertible. It brings back the joy of really driving a car over a winding, sun-dappled country road.

That's just what LeBaron convertible is made for, with stick-to-the-road front-wheel drive, sure-positioning rack-and-pinion steering, a refined suspension system, and the responsive 2.2-liter four-cylinder overhead cam engine.

LeBaron convertible is a complete fun machine, with a list of standard equipment that includes automatic transaxle, power steering, power brakes, electronic digital clock, center console, AM radio, color-keyed dual exterior remote mirrors, and power-assisted convertible top with tailored top boot.

Add performance and pizzazz by selecting the Mark Cross Package and you get air conditioning, the Mitsubishi-built 2.6-liter four-cylinder overhead cam Silent Shaft engine, special Mark Cross leather-and-vinyl bucket seats with console and freestanding center armrest, leather-and-vinyl rear bench seat, and leather-wrapped luxury steering wheel (see the complete listing on page 17).



The LeBaron convertible, shown with simulated wood trim exterior and Mark Cross interior.
(Available January 1983.)



A Chrysler tradition executed in the latest front-wheel drive form, the 1983 Chrysler Town & Country is shown in Pearl White with simulated wood trim.

CHRYSLER TOWN & COUNTRY

An American wagon that combines front-wheel drive, high mileage*, room, and functional luxury.

Room is really the first consideration in a wagon, and the 1983 Town & Country has plenty. Fold down the rear seat, and the fully carpeted cargo area, protected by skid strips, can hold 69.2 cubic feet of cargo.

The Chrysler Town & Country has the power to handle big loads. The standard power train is the 2.2-liter four-cylinder overhead cam engine and three-speed automatic transaxle.

On page 17 you'll find a long list of "standards" on Town & Country. One of them is the new Electronic Voice Alert System that gives you audible warnings such as fasten seat belts, door ajar, parking brake on, and seven other conditions, as well as all systems "OK." Another new standard you'll find convenient is the Electronic Travel Computer Cluster which supplies you with pertinent trip data such as fuel range and mpg rate at the touch of a finger. All these standards make Town & Country the complete family touring wagon.



The Town & Country standard center armrest bench seat, shown in Beige.

*EPA EST MPG ratings for Town & Country are [23] EPA EST MPG: 32 estimated highway. Use EPA EST MPG for comparison. Your mileage may differ depending on speed, weather, and trip length. Actual highway mileage will probably be lower than highway estimate. California mileage: [24] EPA EST MPG: 32 estimated highway.

Engine, transaxle, and all other components are placed and designed to be serviced quickly and easily.

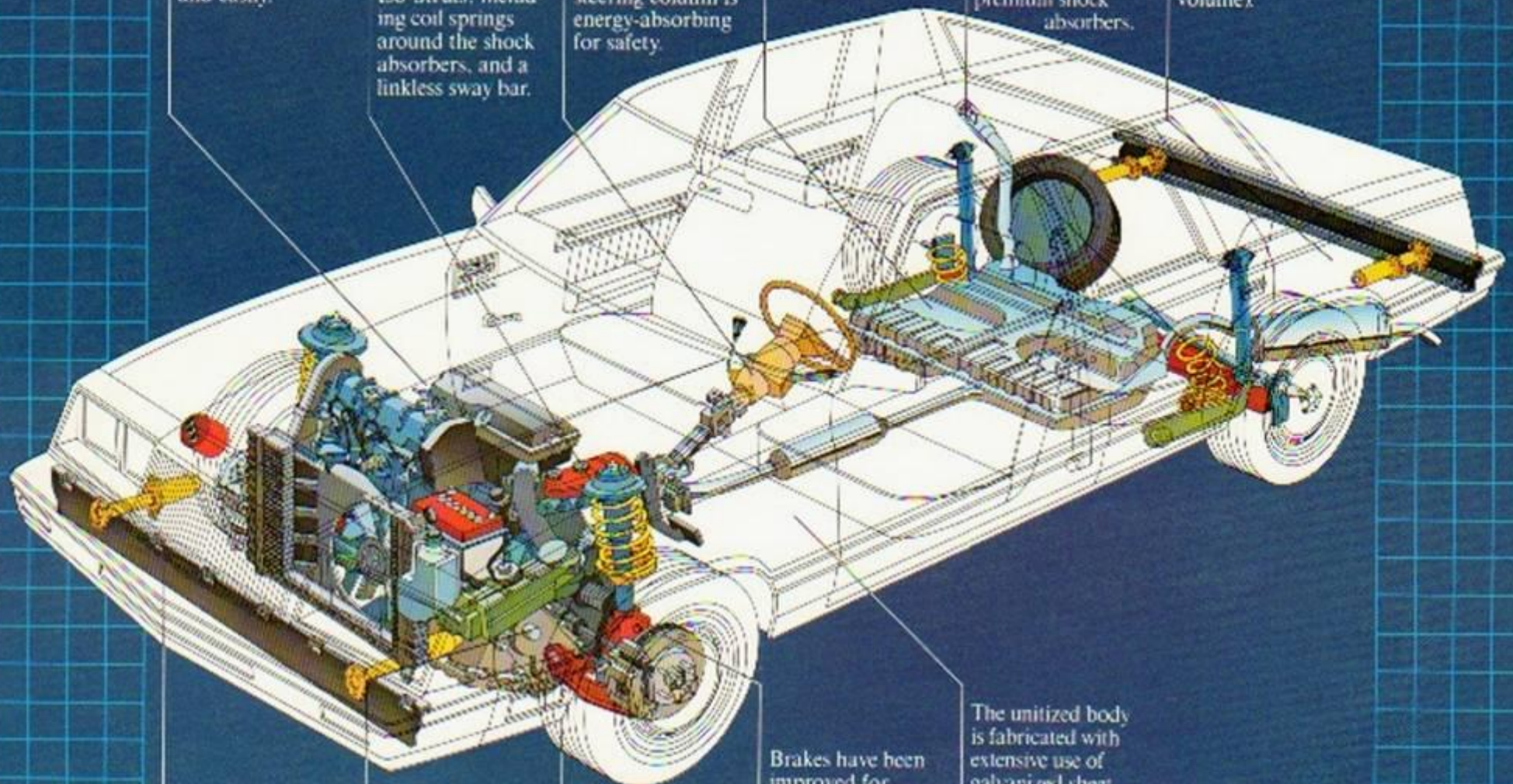
LeBaron's smooth ride and handling are partly the result of a front suspension using MacPherson-type Iso-Struts, including coil springs around the shock absorbers, and a linkless sway bar.

All LeBarons feature the precise control afforded by power-assisted rack-and-pinion steering. The steering column is energy-absorbing for safety.

LeBaron's crash-resistant fuel tank holds 13 gallons — enough to give it a cruising range of 572 miles.*

The rear suspension promotes a smooth ride with flex arm beam axle, trailing links, coil springs, and premium shock absorbers.

Both the two-door and four-door LeBarons offer a full 15 cubic feet of trunk space (EPA cargo volume).



The bumper system has been engineered to exceed federal regulations.

A new transaxle is available for 1983, with five speeds for a more precise application of engine power to driving conditions.

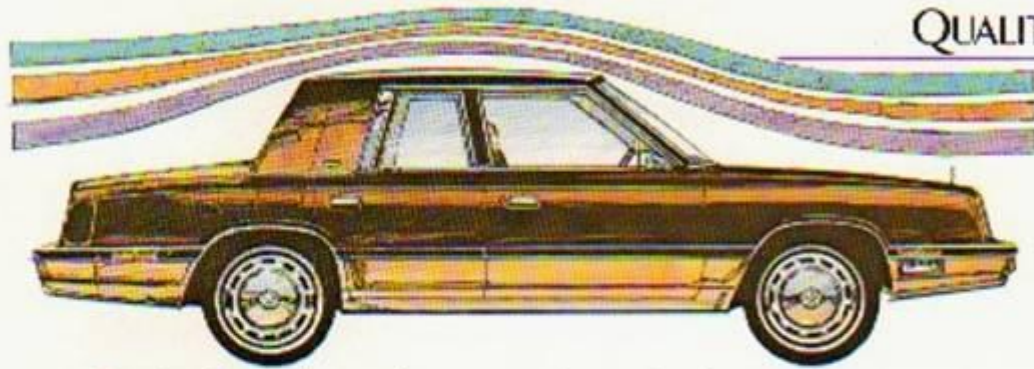
These steel-belted radial white sidewall tires have special low-rolling-resistance tread for greater road stability.

Brakes have been improved for 1983. The front disc brakes have larger rotor and caliper assemblies. Rear drum brakes are now self-adjusting.

The unitized body is fabricated with extensive use of galvanized sheet metal or zinc-metal panels in critical areas along with a seven-step dip-and-spray process to help prevent rust.

*Cruising range — EPA estimated highway mileage multiplied by fuel tank capacity. See pg. 7 of this catalog for EPA estimates.

QUALITY AND LUXURY ENGINEERED IN



Design has a lot to do with the sophisticated formula that makes front-wheel drive technology work so well in the 1983 LeBaron. Not just make-it-look-nice styling, but aero-

is required to cruise a LeBaron two-door at 50 miles per hour.

Quality is another element in Chrysler's formula for success. Quality borne out by such things as LeBaron's corrosion protection, making extensive use of galvanized sheet metal panels and pre-coated steel in critical areas,

as well as a seven-step dip-and-spray process.

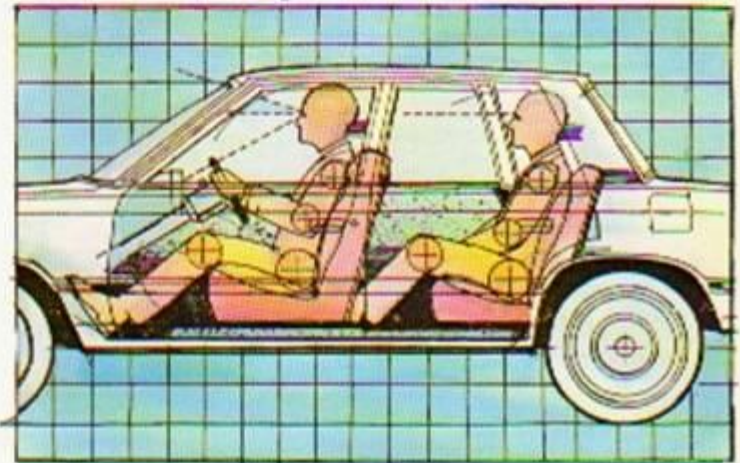
A lot of quality goes into Chrysler's 2.2-liter overhead cam four-cylinder engine.

Although weighing only 293.8 pounds,

the rugged engine is built

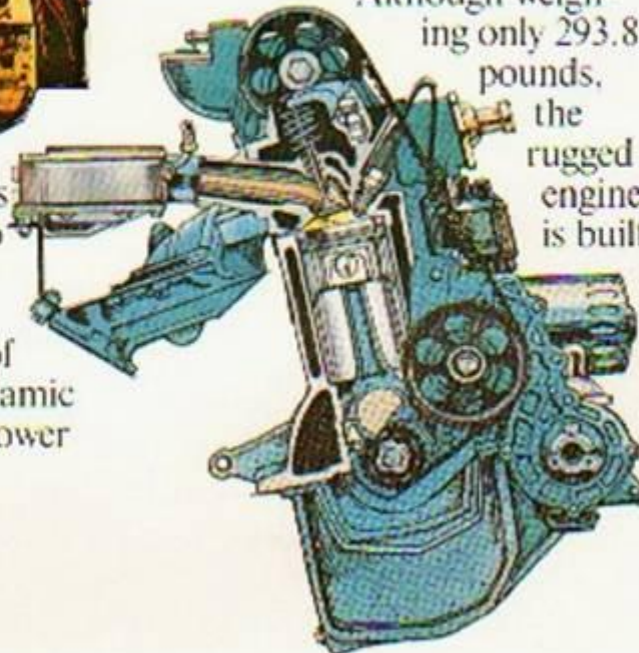
to last with long-life components such as chrome valve stems, alloy valve seats, and moly-faced compression rings.

Size up a 1983 LeBaron for yourself. You'll find it quiet and comfortable inside; luxurious, and designed to have



the highest level of quality ever found in a midsize Chrysler. If a LeBaron does not meet the grade, it's not released for shipment. So you can be sure that only the finest cars the Chrysler Corporation knows how to make reach you, the buyer. Check the quality for yourself. We know you'll find it high because we've already checked it—many times.

dynamic styling that uses airflow to hold the car to the road while maximizing engine power and fuel efficiency. Because of this attention to aerodynamic styling, only 13.5 horsepower



1983 LeBaron Options

Electronic Voice Alert System (not shown) Standard on Town & Country, extra cost on LeBaron two-door, LeBaron four-door, and LeBaron convertible. Reminds you audibly of the following: faster seat belts, door ajar, parking brake on, low engine oil pressure, engine overheating, electrical system malfunction, low fuel, low washer fluid, key in ignition, headlamps on, and all systems "OK."

1. Rear Window Defroster. Reduce driving hazards and improve your rear vision with this popular, practical option.

2. Air Conditioning with new Bi-Level Ventilation. The new bi-level ventilation improves the flow of cool, clean air throughout the passenger compartment, helping to provide even temperatures, and reducing cold drafts.

3. Luggage Rack. Available, at extra cost, on Town & Country only. Sturdy bright metal rack provides extra space and tie-down capability.

4. Wheel Covers and Wheels. From left to right: deluxe wheel cover (standard on all LeBarons), wire wheel cover, and cast aluminum road wheel.

5. Electronically Tuned AM/FM Stereo Radio with Cassette Player. Precise solid state tuning without fade or drift. Fluorescent digital display, and a memory system that stores five stations at a time in both AM and FM modes. Available with or without cassette tape player with Dolby[®] sound.

[®]Dolby is a trademark of Dolby Laboratories.

6. Electronic Travel Computer Cluster. A digital display that supplies pertinent trip data at the touch of a finger. Includes fuel range and present mpg rate, trip odometer, average speed since reset, date, time, and a U.S./metric unit selector (standard on Town & Country).

7. Automatic Speed Control. Helps you save gas on long drives. Control is conveniently mounted on the standard steering column multifunction control lever.

Optional Equipment

Certain models, packages, and options are subject to specific restrictions, requirements, or late availability. Consult your dealer for current ordering information.

- Air Conditioning¹—See engine cooling
- Armrest—Freestanding (std on convertible)
- Battery—500-amp maintenance-free; heavy-duty
- Bumper Guards¹—Front and rear
- Console—Bucket seats required (std on two-door sedan and convertible)
- Defroster—Rear window; electrically heated (required on sedans in New York state)²
- Electronic Voice Alert System¹
- Emissions Controls—California (required on all vehicles registered in California)
- Emissions Controls—High-altitude
- Engine—2.6-liter Mitsubishi (automatic transaxle required)³
- Engine Cooling³—Recommended for vehicles to be equipped with field-installed air conditioning (see your dealer for details)
- Glass—Clear; all except tinted rear window⁴
- Glass—Tinted (std on convertible except rear window)
- Lamp—Dome/reading (not available on convertible; std Town & Country)
- Lamps—Cornering^{1,5}
- Mats—Floor, front and rear; color-keyed (front only on convertible)¹
- Mirror—Passenger side visor vanity; illuminated¹
- Mirrors—Exterior dual remote control; chrome (std Town & Country)
- Molding—Door edge protector^{6,7}
- Molding—Sill⁶

- Power Accessories—Deck lid release, door locks, left bucket or bench seat, windows¹
- Protective Coating⁶—Lower body side; vinyl
- Radio—AM/FM stereo; electronically tuned^{1,7}
- Radio—AM/FM stereo; electronically tuned,⁷ with cassette player and Dolby[®] system¹
- Radio—AM/FM stereo; manually tuned^{4,7}
- Radio Delete Credit—Factory orders only
- Spare Tire—Conventional
- Speaker Package—Premium; for electronically tuned radios¹
- Speaker Package—Premium; for manually tuned radios⁴
- Speed Control—Automatic¹ (deluxe windshield wipers required)
- Steering Column—Tilt¹ (deluxe windshield wipers required)
- Steering Wheel—Luxury two-spoke; leather-wrapped
- Steering Wheel—Sport
- Suspension—Sport/hard-riding
- Transaxle—TorqueFlite automatic; wide-ratio three-speed
- Travel Computer Cluster—Electronic (std on Town & Country)
- Trunk—Dress-up^{1,5}
- Undercoating
- Wheel Covers—Cast aluminum 14-inch (four)¹
- Wheel Covers—Wire 14-inch (four)¹
- Windshield Wipers—Deluxe intermittent¹

¹Included in Mark Cross Package on convertibles.

²Includes 300-amp/maintenance-free battery.

³Not available with air conditioning.

⁴Not available on convertible models.

⁵Not available on Town & Country wagon.

⁶Available at no extra cost in Mark Cross Package.

⁷All extras include four speakers.

[®]Dolby is a trademark of Dolby Laboratories.

Optional Packages

Mark Cross Packages

Two-door, four-door, and Town & Country:

- 50/50 leather seat with dual armrests and dual recliners

- Vinyl door trim panels with leather inserts and Mark Cross medallions
- Leather-wrapped luxury steering wheel
- Electronic Voice Alert System
- Electronic Travel Computer Cluster

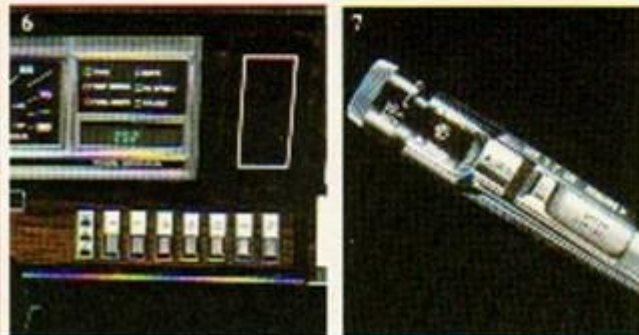
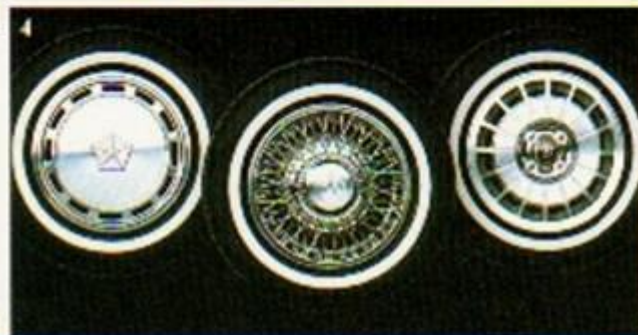
Convertible models:

- Low-back leather bucket seats
- Vinyl door trim panels with flexan inserts and Mark Cross medallions
- Leather-wrapped luxury steering wheel
- Bumper guards front and rear
- Cornering lamps
- Upper body accent stripes
- Wire wheel covers
- Accessory front floor mats
- Electronic Voice Alert System
- AM/FM MX electronically tuned digital radio
- Premium Radio Speaker Package; electronic tuning
- Tilt steering column
- Trunk dress-up
- Air conditioning
- 2.6-liter Mitsubishi engine
- 75-amp alternator
- Power windows
- Power deck lid release
- Power door locks
- Automatic speed control
- Deluxe wipers
- Electronic Travel Computer Cluster

Options available at no extra cost with Convertible Package:

- Aluminum road wheels
- Bright sill moldings
- AM/FM/MX electronically tuned digital radio with cassette player
- Lower body vinyl protective coating

Note: No other equipment upgrading is allowed.



Interior Trim

Standard LeBaron two-door and convertible interior.

Optional on four-door and Town & Country. These low-back all-vinyl bucket seats with adjustable head restraints and dual seatback recliners are standard on LeBaron two-door and convertible, and optional on four-door and wagon models. Door trim panels feature convenient pull straps and elongated armrests. Available in Red/White (on convertibles only), Silver, Red, Beige, and Brown.*



Standard LeBaron four-door and Town & Country interior.

Optional two-door interior. Center armrest cloth beach seat. Door trim panels feature convenient pull straps and elongated armrests. Available in Blue, Silver, Red, Beige, and Brown.*



Optional LeBaron two-door and four-door interior.

Not available on convertible or Town & Country. These cloth



high-back bucket seats feature integral head restraints and driver and passenger seatback recliners. Door trim panels have the same features as standard door trim panels. Available in Blue, Silver, Red, Beige, and Brown.*

Optional LeBaron two-door, four-door, and Town & Country models with Mark Cross Package.

Not available on convertibles. This luxurious Corinthian leather 50/50 bench seat features dual armrests, dual seatback recliners, seat-mounted center consoles containing seat controls, and seatback storage pockets. Door trim panels are vinyl with flexan inserts and Mark Cross medallions. Available in Blue, Red, Beige, and Brown/Tan.*



Standard on LeBaron convertible with Mark Cross Package.

Not available on two-door, four-door, or Town & Country. Corinthian leather low-back bucket seats. Door trim panels are vinyl with flexan inserts and Mark Cross medallions. Available in Brown/Tan only.*



*Certain colors are available on specific models only. See your dealer for complete details.

Standard Features

	LeBaron	Town & Country	LeBaron Convertible
• Alternator—60 amp	S	S	S
• Battery—555-amp (maintenance-free)	S	S	S
• Battery Test Indicator	S	S	S
• Brakes—Power, dual diagonal disc front; drum rear	S	S	S
• Bumper Protective Rub Strips—Color-keyed	S	S	S
• Bumpers—Energy-absorbing	S	S	S
• Carburetor—Electronic feed back (available with 2.2-liter engine only)	S	S	S
• Carpeting—Cargo area with skid strips	NA	S	NA
• Carpeting—Passenger compartment	S	S	S
• Chimes/Tones—Warning seat belt, headlamps on, key in ignition	S	NA	S
• Cigarette Lighter	S	S	S
• Clock—Electronic digital	S	S	S
• Computer—Combustion, electronic	S	S	S
• Console—With center armrest (standard on two-door only)	S	E	S
• Convertible Top—Power, hydraulic	NA	NA	S
• Coolant Overflow Reservoir	S	S	S
• Electronic Ignition and Voltage Regulator	S	S	S
• Electronic Voice Alert System—Audibly announces the following: fasten seat belts, door ajar, parking brake on, low engine oil pressure, engine overheating, electrical system			

S—Standard, NA—Not available, E—Extra cost.

Standard Features

	LeBaron	Town & Country	LeBaron Convertible
• multifunction, low fuel, low washer fluid, key in ignition, headlamps on, all systems OK	E	S	E
• Engine—Four-cylinder 2.2-liter Trans-4	S	S	S
• Engine Cooling Fan—Electric	S	S	S
• Headlamps—Halogen; rectangular, high/low beam	S	S	S
• Headliner—Cloth-covered	S	S	NA
• Hood—Counterbalanced	S	S	S
• Hood Ornament—Pentastar	S	S	S
• Hood Release—Inside	S	S	S
• Horns—Dual	S	S	S
• Insulation—Body sound, special	S	S	S
• Light Alert Group—Washer fluid level warning, door-ajar warning, fuel level warning, trunk/liftgate warning	S	S	S
• Lights—Ash receiver, courtesy (door-mounted), dome, glove box, ignition switch (with time delay), parking brake warning, side marker with reflectors, trunk, underhood (dome light not available on convertible)	S	S	S
• Lock—Glove box	S	S	S
• Lock Cover—Deck lid	S	NA	S
• Mirror—Inside rearview, day/night	S	S	S
• Mirror—Inside visor vanity, non-illuminated	E	E	S
• Mirrors—Outside dual manual, chrome	S	NA	NA
• Mirrors—Outside dual remote, chrome	E	S	NA
• Mirrors—Outside dual remote, color-keyed	NA	NA	S
• Molding—Vinyl roof surround, color-keyed	S	NA	NA
• Moldings—Bright, belt, body-side with vinyl inserts (integral side marker light and partial wheel opening), deck lid, windshield, drip rail, and upper door frame moldings (not available on convertible)	S	S	S
• Radio—AM (may be deleted for credit on factory orders)	S	S	S
• Roof—Full, padded vinyl (four-door only)	S	NA	NA
• Roof—Landau, padded vinyl (two-door only)	S	NA	NA
• Seat—Center armrest bench, luxurious cloth with carpeted lower door trim panels and cloth inserts (standard four-door, optional two-door; optional automatic transaxle required)	E	S	NA
• Seat—Rear passenger (convertible)	NA	NA	S
• Seats—Bucket; vinyl with carpeted lower door trim panels and center armrest (optional on four-door; standard on two-door)	S	E	S
• Skid Strips—On cargo compartment floor and rear seatback	NA	S	NA
• Spare Tire—Compact, high-pressure	S	S	S
• Steering—Power, rack-and-pinion	S	S	S
• Steering Wheel—Luxury, two-spoke, color-keyed	S	S	S
• Tires—P185-70R14 steel-belted radial wide white sidewall	S	S	S
• Top—Convertible, three-ply vinyl-coated, black inner, vinyl boot with concealed fasteners	NA	NA	S
• Transaxle—Automatic three-speed TorqueFlite (standard on four-door)	E	S	S
• Transaxle—Manual five-speed (standard on two-door; not available on four-door)	S	NA	NA
• Trunk Carpet	S	NA	S
• Ventilation System—Upper-level; forced (four outlets)	S	S	S
• Wheel Covers—Deluxe (four)	S	S	S
• Window—Convertible rear, zip-down; heavy-duty brass top zipper, weather-seal sides	NA	NA	S
• Windshield Wipers—Two-speed with electric washers; concealed	S	S	S
• Wiper/Washer—Rear window	NA	S	NA
• Woodgrain Applique—Body-side and liftgate	NA	S	NA

S—Standard, NA—Not available, E—Extra cost.

LeBaron Exterior Colors



Two-Door Four-Door Two-Tone Paint Package



*Not available with convertible Mark Cross Package.

†Not available LeBaron convertible.

‡Not available Town & Country wagon.

Note: Due to occasional printing irregularities, the colors shown may vary slightly from actual hues. See your Chrysler dealer for accurate color chips.

Engines and Transaxles

Type	Displacement	Bore & Stroke	Compression Ratio	Horsepower Torque		Transaxle Availability
				SAE Net @ RPM		
Federal and California						
4-cyl OHC	2.2-liter (135 CID)	3.44 x 3.62	9.0:1	94 hp @ 4,800	117 lb-ft @ 2,400	S—Manual (12.57 OTGR*) O—Automatic (13.02 OTGR*)
4-cyl OHC	2.6-liter† (156 CID)	3.59 x 3.86	8.2:1	93 hp @ 4,500	132 lb-ft @ 2,500	S—Automatic (12.78 OTGR*)

*OTGR—Overall top gear ratio.

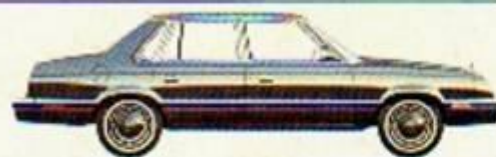
†Built by Mitsubishi Motors Corporation

All product illustrations and specifications are based on authorized information. Although descriptions are believed correct at publication approval, accuracy cannot be guaranteed. Chrysler Corporation reserves the right to make

Item No. 41-005-3004 832/55064 Litho in U.S.A.

Chrysler for 1983

Chrysler E-Class Sedan



New Yorker Fifth Avenue Edition



Chrysler Cordoba



Optional 5/50 Protection Plan Coverage

Chrysler Corporation offers a 5/50 "Added Coverage" Service contract for your new Chrysler LeBaron or Town & Country which provides protection against rising service and parts costs for specified major repairs not included in the 5/50 limited warranty. Coverage starts on the specified components in the plan after your vehicle's "basic" 12-month/12,000-mile

limited warranty expires on these components and continues for five years or 50,000 miles (whichever occurs first) from the vehicle's original warranty start date. A deductible applies. The plan provides an allowance for alternate transportation and towing.

Ask your dealer for details.

Dimensions, Weight and Capacity

	Two-Door	Four-Door	Convertible	Town & Country Wagon
Length ¹	179.6"	179.6"	179.6"	179.8"
Width	68.5"	68.5"	68.5"	68.5"
Height	52.6"	53.0"	54.1"	52.7"
Wheelbase	101.1"	101.1"	101.1"	101.1"
Turning Diameter	34.6'	34.6'	34.6'	34.6'
Curb Weight (lb.)	2,464	2,541	2,532	2,656
Tread: Front	57.6"	57.6"	57.6"	57.6"
Rear	57.0"	57.0"	57.0"	57.0"
Cargo Capacity (est.)	15.0 cu ft	15.0 cu ft	13.0 cu ft	69.2 cu ft
Passenger Capacity:	6	5	4	5
Fuel Capacity (gal):	13	13	13	13

¹Includes bumper guards.

Standard Safety Features

- Safety-Rim wheels
- Combination lap/shoulder belts for the driver and right front passenger, and lap belts for all other passengers
- Seat belt reminder system
- Energy-absorbing steering column or steering wheel
- Dual braking system with separate brake fluid reservoirs in the master cylinder
- Brake fluid pressure loss warning light (also serves as indicator when parking brake is applied)
- Hazard-warning flasher system
- Turn signals with lane-change feature
- Backup lights
- Energy-absorbing instrument panel and sun visors
- Front seat head restraints
- Energy-absorbing front seatbacks
- Inside and outside rearview mirrors
- Side marker lights and reflectors
- Seatback latches on folding front seats
- Fade-resistant front disc brakes
- Electric windshield washers and wipers
- Ignition and steering column lock
- Anti-theft trunk lock
- Headlamp and wiper circuit breakers with automatic reset
- Key-left-in-ignition warning
- Non-override door locks (except driver's door)
- Resilient window crank knobs
- Side door beams
- Dual throttle return springs
- Interlocking door latches
- Recessed inside door release handles
- Rotary glove box latch
- Reinforced windshield header and roof (excluding convertible)
- Glare reduction measures for windshield wipers, instrument panel, and steering wheel
- Double ball-joint rearview mirror mount

Consider Leasing from the Leasing Professionals

In these days of tight money and high interest rates more consumers are considering leasing as an alternative to buying. Leasing a new Chrysler LeBaron or Town & Country usually eliminates large down payments and often results in lower monthly payments because you're paying only for that portion of the car life under the leasing agreement.

Leasing could be right for you, and the more you learn about it the more likely you are to consider it seriously. If leasing sounds like a sensible solution to your transportation needs, talk it over with us—your leasing professionals.

MOPAR parts are engineered by Chrysler Corporation for use in your new Chrysler LeBaron or Town & Country. When replacement is necessary, be sure to specify MOPAR parts. Used by professional mechanics all over the world.

changes from time to time, without notice or obligation, in prices, specifications, colors and materials, and to change or discontinue models. See your dealer for the latest information.

