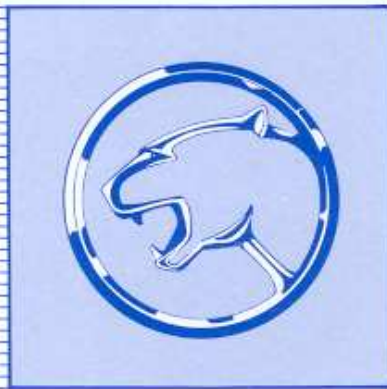
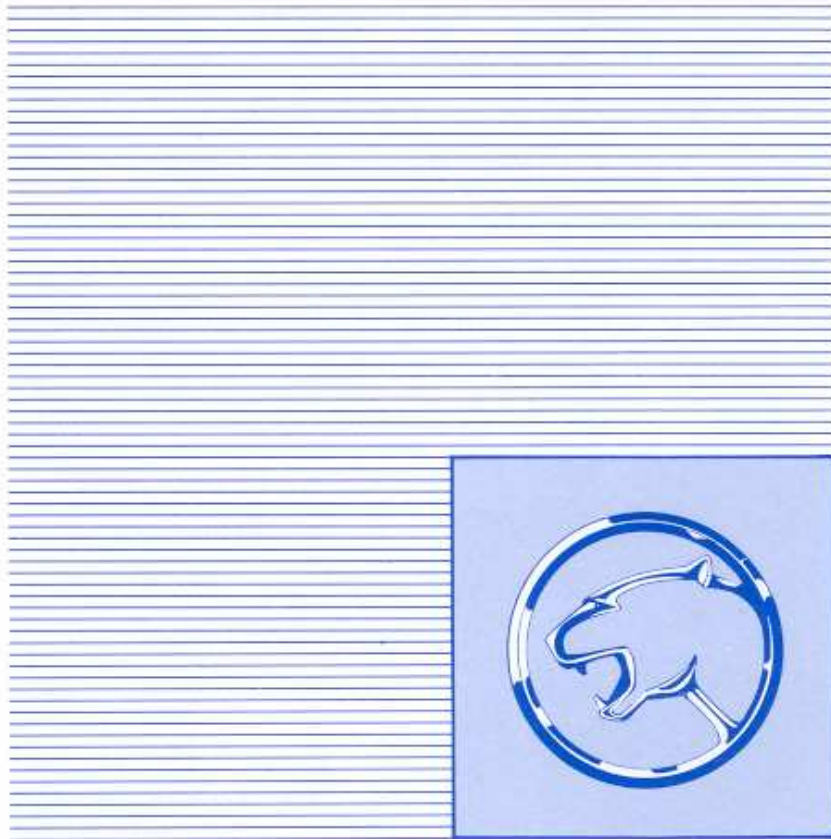


# COUGAR XR-7



# INDEX

---

	PAGE
MODEL AVAILABILITY .....	2
NEW PRODUCT FEATURES .....	2
COUGAR XR-7 GS STANDARD EQUIPMENT .....	3
COUGAR XR-7 LS OPTION EQUIPMENT .....	4
INTERIOR TRIMS .....	5-6
Cougar XR-7 GS .....	5
LS Option .....	6
COLOR AND TRIM SELECTIONS .....	7-8
EXTERIOR MOLDINGS .....	9
TU-TONE PAINT OPTION .....	9
INSTRUMENT PANEL .....	10
STEERING WHEELS .....	11
WHEELS AND WHEEL COVERS .....	11
POWER TEAMS .....	12
DIMENSIONS AND CAPACITIES .....	12
CHASSIS SPECIFICATIONS .....	12
OPTIONS .....	13-16
Engines .....	13
Axle .....	13
Tires .....	13
Power Assists .....	13
Other Options .....	13-16
Limited Production Options (LPO) .....	16

# COUGAR XR-7... WHAT'S NEW FOR 1982

Cougar XR-7 adds to its efficiency and sporty character for 1982 with a restructured series lineup, new power team offerings, new exterior style and flair, and a new computerized Tripminder option.

For 1982, the Cougar XR-7 series lineup has been consolidated from three levels to two. The previous base Cougar XR-7 model has been replaced by a new Cougar GS as the standard model. The new Cougar GS incorporates much of the previous GS Option equipment, plus its standard Twin Comfort Lounge seats now share the plush sew style and luxurious new upholstery of the top-of-the-line LS Option.

Heading the revamped power team lineup is a brand-new V-6 engine displacing 3.8-liters. This new optional engine, several years in development, incorporates state-of-the-art features for maximum efficiency and smooth operation. It will be teamed with Lincoln-Mercury's highway fuel-efficient four-speed Automatic Overdrive Transmission (AOD). Also, for more efficiency, the standard 3.3-liter engine will be mated with a new automatic transmission that includes a lock-up torque converter.

The sporty and tasteful exterior appearance of XR-7 will be bolder and stronger in 1982 with bodyside molding and vinyl roof changes. The bodyside molding inserts and bumper rub strips are now black with all exterior colors, while the half-vinyl roof features a new, wide, black-accented wrap-over molding that blends into the door belt moldings to provide a more unified and coordinated appearance.

Several new paint and vinyl roof colors add to the fresh appearance for 1982.

The XR-7's standard analog clock now features quartz controlled electronic operation versus the previous electric operation.

The Tripminder is a new and useful electronic option that provides data on fuel economy, speed and time with eight selected digital readouts that can be displayed by the touch of buttons. The Tripminder can be combined with the optional Electronic Instrument Cluster to provide complete electronic display and monitoring of car operation.

## MODEL AVAILABILITY

Series	2-Door Hardtop
Cougar XR-7 GS	90
Cougar XR-7 LS Option	90*

\* When ordered with LS Option (60H)

## NEW PRODUCT FEATURES

### FUNCTIONAL

- Series consolidated from three levels to two with Cougar XR-7 GS now standard
- New optional 3.8-liter V-6 engine\*
- New lock-up torque converter on automatic transmission with standard 3.3L engine\*
- Fuel tank capacity increased from 18 to 21 gallons
- Automatic Overdrive Transmission (AOD) standard with optional 3.8L and 4.2L engines

### EXTERIOR

- Black vinyl insert bodyside molding replaces color-keyed molding
- Black bumper rub strips with White accent stripes replace bright rub strips
- New half-vinyl roof design with wide black accented wrapover roof molding (late 1981 introduction)
- Seven new paint colors:
  - Light Pewter Metallic
  - Medium Pewter Metallic
  - Medium French Vanilla
  - Pastel French Vanilla
  - Light Blue Metallic
  - French Vanilla Metallic
  - Medium Vaquero Metallic
- Four new vinyl roof colors:
  - Light Pewter
  - Dark Brown Metallic
  - French Vanilla
  - Dark Cordovan

## INTERIOR

- GS-level interior becomes standard, plus includes LS-level seat sew style and upholstery
- Three new interior colors:
  - Midnight Blue
  - French Vanilla
  - Opal with Color-Keyed Components
- Analog clock features electronic operation with quartz crystal time base for accurate operation

## OPTIONS

- Tripminder that includes electronic clock, trip odometer, average speed and fuel economy information\*
- Four new tu-tone color combinations
- Special tu-tone paint option
- Altitude Emission System
- P185/75R14 BSW tire (fleet only)
- Option revisions:
  - Recaro seats option replaced by Sport bucket seat option as running change
  - Two instrument panel speakers added to AM/FM monaural radio
  - Courtesy lights deleted from interior quarter trim panel on LS Option
  - Locking feature added to wire wheel covers
  - Floor carpeting changed from 18 ounce to 14 1/2 ounce with LS Option
- Options discontinued:
  - GS Option (interior content now standard)
  - 5.0 liter engine
  - Power option for Flight Bench seat
  - Garage door opener control
  - Mud/stone deflectors
  - 3.45:1 rear axle ratio
  - Power option for Recaro or Sport bucket seats
  - Radio Flexibility Option
  - Hood accent stripes

\*Refer to Technical Information section

# COUGAR XR-7 GS



Cougar XR-7 GS 2-Door Hardtop

## COUGAR XR-7 GS STANDARD EQUIPMENT

### EXTERIOR

#### Front:

- Distinctive vertical bar grille with bright surround molding
- Color-keyed soft bumper covering with black rub strips that include white accent stripes
- Bright headlamp and parking lamp housings
- Dual rectangular halogen headlamps
- Bumper-mounted turn signals
- Bright stand-up hood ornament
- Hood accent stripes

#### Side:

- Upper bodyside paint stripe
- Half-vinyl roof with black belt molding and black accented wrapover molding
- Full wheel covers
- Wide bodyside molding with black vinyl insert and integral partial wheel lip moldings
- Front bumper rub strip extensions
- Bright window frame-mounted remote-control left-hand rearview mirror
- Black door and quarter window frames with bright moldings
- Wide bright door belt molding with black insert
- Bright drip rail molding

#### Rear:

- Large vertical-theme taillamps with integral backup lights
- Decklid accent stripes
- Bright rear window molding
- Color-keyed soft bumper covering with black rub strips that include white accent stripes
- Decklid lock ornament

#### Finish:

- Electrocoat paint priming process
- Electrostatic paint process
- Baked acrylic super enamel finish
- Corrosion protection through use of pre-coated steel panels

### INTERIOR

- Twin Comfort Lounge seats with fold-down center armrests and right- and left-hand recliners
- Luxury cloth seat trim in plush pillowed sew style
- Two-tier instrument panel
- GS-level door trim panels with lower carpeting, padded armrests, door pull straps and woodtone molding

- Color-keyed 14½ oz. cut-pile carpeting
- Four-spoke, color-keyed steering wheel with luxury woodtone insert
- Trip odometer
- Woodtone and brushed finish aluminum instrument panel appliques
- "Squeeze" type glove box lock
- Glove box and ashtray lights
- Analog clock with quartz time base
- Cut-and-score color-keyed cloth headlining

- Inertia seat-back release
- Stalk-mounted controls on steering column for horn, turn signals, high/low headlamp beam, wiper/washer and optional tilt steering column
- Deluxe color-keyed seat belts with tension reliever
- Padded rear seat armrests
- Luggage compartment light
- Molded burloom luggage compartment trim

### FUNCTIONAL

- 3.3-liter (200-CID) 1V six-cylinder engine
- SelectShift automatic transmission with lock-up torque converter
- Variable-ratio power rack-and-pinion steering
- Power front disc/rear drum brakes
- P195/75R14 steel-belted radial-ply WSW tires
- Halogen headlamps
- AM radio (may be deleted for credit)
- DuraSpark ignition
- Electronic voltage regulator
- Viscous drive fan

- Hybrid MacPherson strut front suspension
- Front stabilizer bar
- Low friction ball joints
- Four-bar link coil-spring rear suspension
- Rear stabilizer bar
- Fluidic windshield washer system
- Coolant recovery system
- Unitized body construction
- Double cardan universal joint on driveshaft
- Inside hood latch release
- Maintenance-free battery
- 60-amp alternator
- 21-gallon fuel tank
- Theft-resistant decklid lock

- Anti-theft door lock buttons
- Mini-spare tire
- Dual-note horn

### DIMENSIONS & CAPACITIES

Wheelbase .....	108.4"
Overall Length .....	200.4"
Tread	
Front .....	58.1"
Rear .....	57.0"
Luggage Capacity (cu. ft.) ...	17.7
Fuel Tank Capacity (gals.) ...	21.0

\*With standard tires and wheels

NOTE: Other equipment shown is optional

# COUGAR XR-7 LS OPTION



Cougar XR-7 LS Option

## LS OPTION EQUIPMENT OVER COUGAR XR-7 GS

### EXTERIOR

- Bright dual remote-control window frame-mounted rearview mirrors
- Luxury wheel covers

### INTERIOR

- Luxury door trim panel with full-length padded armrest, door pull strap, courtesy light and thickly carpeted lower door
- Luxury woodtone instrument panel appliques
- Luxury quarter trim appliques
- Electronic seat-belt warning chimes
- Luxury luggage compartment trim
- Passenger visor vanity mirror

### FUNCTIONAL

- Power windows

### DIMENSIONS & CAPACITIES

Wheelbase .....	108.4"
Overall Length .....	200.4"
Tread	
Front .....	58.1**
Rear .....	57.0**
Luggage Capacity (cu. ft.) ...	17.7
Fuel Tank Capacity (gals.) ...	21.0

\*With standard tires and wheels

NOTE: Other equipment shown is optional

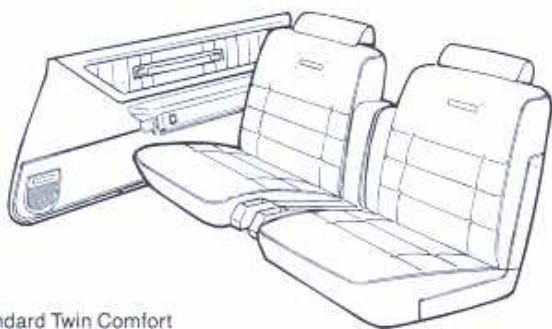
# COUGAR XR-7 GS Interior Trims



Standard Twin Comfort Lounge Seats



Standard Cloth and Vinyl:  
Dark Red,  
Midnight Blue (shown),  
French Vanilla,  
Vaquero  
or Medium Fawn



Standard Twin Comfort Lounge Seats



Optional Vinyl:  
Dark Red (shown),  
Midnight Blue,  
French Vanilla,  
Vaquero,  
Medium Fawn  
or Opal with Color-Keyed  
Components



Optional Bucket Seats



Standard Vinyl:  
Dark Red,  
Midnight Blue,  
Vaquero (shown),  
Medium Fawn  
or Opal with Color-Keyed  
Components

## COUGAR XR-7 GS Interior Trims (continued)



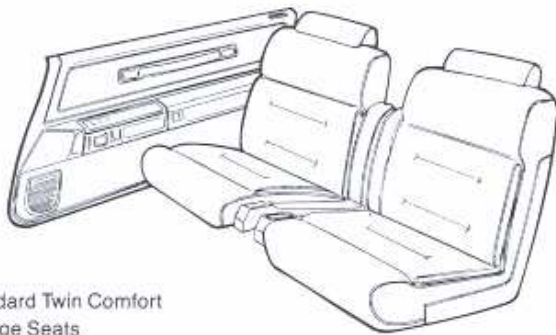
Optional Sport Bucket Seats



Standard Cloth and Vinyl:  
Dark Red,  
Midnight Blue (shown)  
or Vaquero

---

## COUGAR XR-7 LS OPTION Interior Trims



Standard Twin Comfort  
Lounge Seats



Standard Cloth and Vinyl:  
Dark Red,  
Midnight Blue,  
French Vanilla,  
Medium Fawn (shown)  
or Opal/Pewter



Optional Leather and Vinyl:  
Dark Red,  
Midnight Blue,  
French Vanilla (shown),  
Vaquero,  
Medium Fawn  
or Opal/Pewter

# COUGAR XR-7 Color and Trim Selections

INTERIOR TRIM COLOR AVAILABILITY												
SERIES	SEAT	TRIM						OPAL WITH				
			Dark Red	Midnight Blue	French Vanilla	Vaquero	Medium Fawn	Pewter	Dark Red	Midnight Blue	Vaquero	Medium Fawn
GS	TWIN COMFORT	VINYL	HD	HB	HV	HZ	HL	H6	HN	HQ	H9	H3
	TWIN COMFORT	CLOTH & VINYL	GD	GB	GV	GZ	GL					
	BUCKET	VINYL	DD	DB	DV	DZ	DL	D6	DN	DQ	D9	D3
LS	TWIN COMFORT	CLOTH & VINYL	MD	MB	MV	MZ	ML	M6				
	TWIN COMFORT	LEATHER	JD	JB	JV	JZ	JL	J6				
SPORT BUCKET	BUCKET	CLOTH	ND	NB		NZ						

VINYL ROOF (R) ACCENT STRIPE (S) COMPATIBILITY																										
EXTERIOR PAINT COLOR	PAINT CODE	R		S		R		S		R		S		R		S		R		S						
		A	D	W	D	Q	B	W	G	W	F	W	Q	W	D	W	D	W	B	W	F	W	Q			
BLACK	1C	A	D					A	L	A	C	A	U	A	U	A	U									
WHITE	9D	W	D	W	D	Q	B	W	L	G	F	W	F	W	Z	Q	Q	W	D	D	W	D	Q			
LIGHT PEWTER METALLIC	1T													4	A	D	A									
MEDIUM PEWTER METALLIC	17													4	A	D	A									
MEDIUM RED	24	D	W	W	A	W												D	W	W	W					
MIDNIGHT BLUE METALLIC	3L	Q	D	Q	D	W	G	W										Q	W	W	W					
MEDIUM FRENCH VANILLA	6Y						L	W	Q	W	Q															
PASTEL FRENCH VANILLA	6Z						L	W	G																	
DK. CORDOVAN METALLIC	8N								F	W	C	W	C							F	W	C	W	C		
DARK BROWN METALLIC	5V										Z	W	U	W	U							Z	W	U	W	U
FRENCH VANILLA METALLIC	6B						L	W	Q	W	Q															
MEDIUM VAQUERO METALLIC	5W								F	A	W	C	A	W	C						F	W	W	W		
<b>GLAMOUR PAINT (EXTRA COST)</b>																										
LT. FAWN METALLIC	5H										Z	W	Q	Q								Z	W	Q	Q	
LIGHT MED. BLUE METALLIC	3H			Q	W	B	W	B										Q	W	B	W	B				

VINYL ROOF CODES	
COLOR	CODE
BLACK	A
WHITE	W
LIGHT PEWTER MET.	4
MEDIUM RED	D
MIDNIGHT BLUE	Q
FRENCH VANILLA	L
DARK BROWN	Z
DK. CORDOVAN	F

ACCENT STRIPE CODES	
COLOR	CODE
BLACK	A
WHITE	W
MEDIUM RED	D
MEDIUM BLUE	B
GOLD	G
DARK CHAMPAGNE	Q
TERRA COTTA	C
DARK CORDOVAN	F
LIGHT CHAMPAGNE	U

### TU-TONE PAINT OPTION (952)

UPPER COLOR	LOWER COLOR (DO NOT ORDER)	VINYL ROOF	INTERIOR TRIM
Lt. Pewter Metallic	1T Med. Pewter Metallic	4 Lt. Pewter Metallic	Opal with Pewter (6)
Pastel French Vanilla	6Z Med. French Vanilla	L Pastel French Vanilla	French Vanilla (V)
Dark Brown Metallic	5V Lt. Fawn Metallic	Z Dark Brown Metallic	Medium Fawn (L)

### ALTERNATE TU-TONE OPTION (952 PLUS SELECTION OF BOTH UPPER AND LOWER (S3L) OR (S24) TU-TONE COLORS)

Lt. Pewter Metallic	1T	Midnight Blue Metallic	3L	Lt. Pewter Metallic	4	Opal with Pewter or Midnight Blue	(6)
Lt. Pewter Metallic	1T	Med. Red	24	Lt. Pewter Metallic	4	Opal with Pewter or Dark Red	(6)



# COUGAR XR-7 Color And Trim Selections (continued)

## CARRIAGE ROOF — 86A

INTERIOR TRIM SELECTOR: SEAT TRIM			INTERIOR TRIM COLOR AVAILABILITY				
			DARK RED	MIDNIGHT BLUE	FRENCH VANILLA	VAQUERO	MEDIUM FAWN
GS	VINYL	TWIN COMFORT	HD	HB	HV	HZ	HL
	CLOTH	TWIN COMFORT	GD	GB	GV	GZ	GL
	VINYL	BUCKET	DD	DB		DZ	DL
LS	CLOTH	TWIN COMFORT	MD	MB	MV	MZ	ML
	LEATHER	TWIN COMFORT	JD	JB	JV	JZ	JL
SPORT BUCKET	CLOTH	BUCKET	ND	NB		NZ	

EXTERIOR PAINT SELECTOR		ROOF/STRIPE SELECTOR VINYL ROOF (R) STRIPE (S) COMPATIBILITY					VINYL ROOF CODES VALINO GRAIN	
EXTERIOR PAINT COLOR	CODE	R S	R S	R S	R S	R S	COLOR	CODE
BLACK	1C					U U	FAWN	U
WHITE	9D	W D	Q B W B	W G	W F	U Q W Q	MIDNIGHT BLUE	Q
MEDIUM RED	24	W W					WHITE	W
MIDNIGHT BLUE METALLIC	3L	Q D	Q G W W					
DARK BROWN METALLIC	5V					U U W W		
MEDIUM VAQUERO METALLIC	5W				W W			
MEDIUM FRENCH VANILLA	6Y			W W				
FRENCH VANILLA METALLIC	6B			W W				
DARK CORDOVAN METALLIC	8N				W W			
GLAMOUR								
LIGHT FAWN METALLIC	5H					U Q W Q	ACCENT STRIPE CODES	
LIGHT MEDIUM BLUE METALLIC	3H		Q B W W				COLOR	CODE
							WHITE	W
							MEDIUM RED	D
							MEDIUM BLUE	B
							GOLD	G
							DARK CHAMPAGNE	Q
							DARK CORDOVAN	F
							LIGHT CHAMPAGNE	U

INTERIOR TRIM SELECTOR: SEAT TRIM			INTERIOR TRIM COLORS AVAILABILITY OPAL WITH				
			PEWTER	DARK RED	MIDNIGHT BLUE	VAQUERO	MEDIUM FAWN
GS	VINYL	TWIN COMFORT	H6	HN	HQ	H9	H3
	VINYL	BUCKET	D6	DN	DQ	D9	D3
LS	CLOTH	TWIN COMFORT	M6				
	LEATHER	TWIN COMFORT	J6				

EXTERIOR PAINT SELECTOR		ROOF/STRIPE SELECTOR VINYL ROOF (R) STRIPE (S) COMPATIBILITY				
EXTERIOR PAINT COLOR	CODE	R S	R S	R S	R S	R S
WHITE	9D	W D	W D	W B Q B	W F	W Q
MIDNIGHT BLUE METALLIC	3L			Q W		

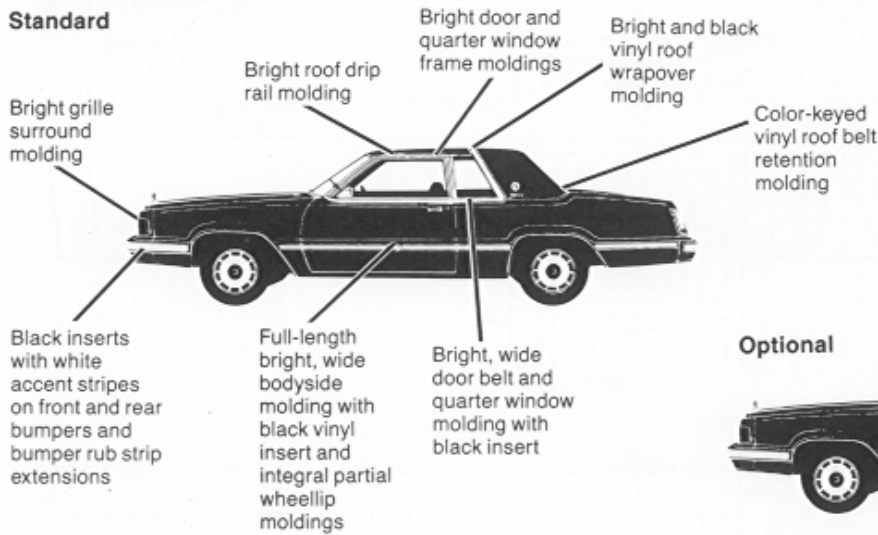
TU-TONE NOT AVAILABLE WITH CARRIAGE ROOF.

# COUGAR XR-7

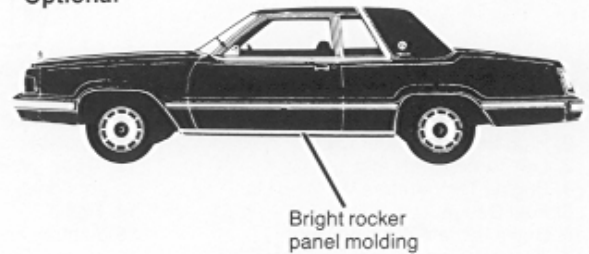
## EXTERIOR MOLDINGS

### COUGAR XR-7 GS

#### Standard

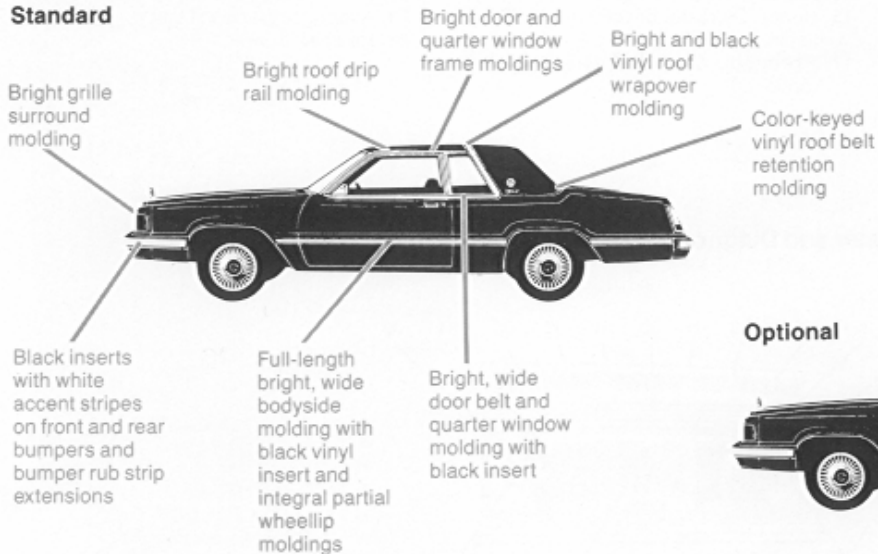


#### Optional

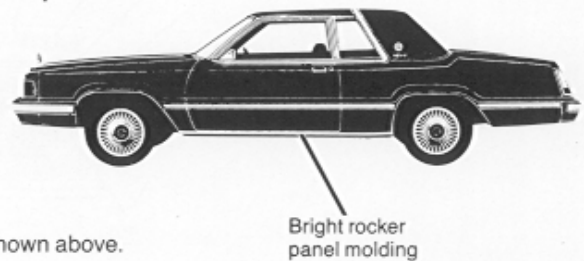


### LS OPTION

#### Standard



#### Optional



NOTE: Grey callouts indicate items which are included in the series shown above.

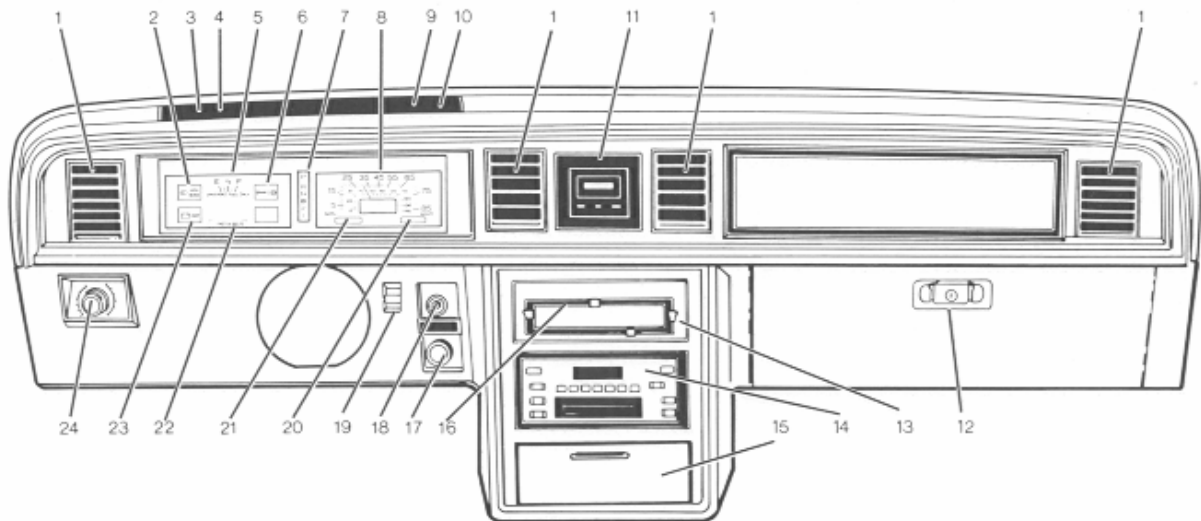
### COUGAR XR-7 TU-TONE PAINT OPTIONS

Unshaded area represents primary body color. Shaded area represents the secondary (tu-tone) color. The body side molding insert matches the secondary (tu-tone) color.



# COUGAR XR-7 INSTRUMENT PANEL

## Standard Instrument Panel

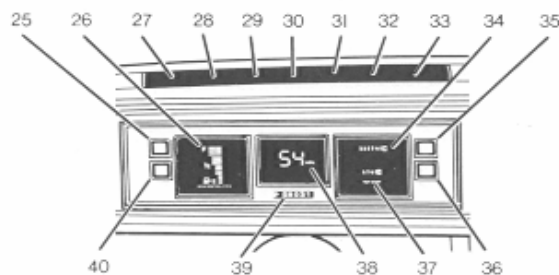


- 1. Panel Air Registers
- 2. High Beam Indicator Light
- 3. Left Turn Signal Light
- 4. Engine Temperature Warning Light
- 5. Fuel Gauge
- 6. Brake System Warning Light
- 7. Transmission Selector Indicator
- 8. Speedometer
- 9. Oil Pressure Warning Light
- 10. Right Turn Signal Light

- 11. Clock (Analog or Digital)
- 12. Lockable Glove Box
- 13. Rear Window Defroster Switch (optional)
- 14. Radio
- 15. Ashtray and Cigar Lighter
- 16. Heater/Defroster or Optional Air Conditioning Controls
- 17. Premium Sound System Switch (optional)

- 18. Right-Hand Remote-Control Mirror Control
- 19. Power Antenna Switch (optional)
- 20. Odometer
- 21. Trip Odometer
- 22. Fasten Seat Belts Light
- 23. Alternator Warning Light
- 24. Headlamp Switch

## Optional Electronic Instrument Cluster and Diagnostic Warning Light Module



- 25. Fasten Seat Belts Light
- 26. Graphic Fuel Gauge Display
- 27. Door Ajar Warning Light
- 28. Low Washer Fluid Warning Light
- 29. Headlamps On Light
- 30. Low Beam Headlamp Out Light

- 31. Brake Lamp Out Light
- 32. Tail Lamp Out Light
- 33. Low Fuel Warning Light
- 34. Odometer
- 35. High Beam Indicator Light
- 36. Alternator Warning Light

- 37. Trip Odometer
- 38. Electronic Speedometer
- 39. Transmission Selector Indicator
- 40. Brake Warning Light

## COUGAR XR-7 STEERING WHEELS



Luxury 4-Spoke Color-Keyed Simulated Woodgrain Steering Wheel. Standard on All Cougar XR-7 Models.



Luxury 4-Spoke Leather-Wrapped Color-Keyed Steering Wheel. Optional on All Cougar XR-7 Models. Requires Speed Control.



Luxury 4-Spoke Color-Keyed Steering Wheel with Special Center Insert. Included with Optional Electronic Instrument Cluster.

---

## COUGAR XR-7 WHEELS AND WHEEL COVERS



Full Wheel Covers (4). Standard on Cougar XR-7 GS.



Optional Luxury Wheel Covers (4). Included with LS Option. Not Available with TR-Type Tires.



Cast Aluminum Wheels (4). Included with Optional TR-Type Tires. Not Available with Standard Tires.



Optional Wire Wheel Covers (4). Not Available with TR-Type Tires.

## COUGAR XR-7 POWER TEAMS

ENGINES AND TRANSMISSIONS		AXLE RATIOS	
		STANDARD	TRACTION-LOK
3.3 LITER (200-CID) 1V I-6** — SelectShift Automatic	Std	2.73	2.73
	Std		
3.8-LITER (231-CID) 2V V-6* — Automatic Overdrive	Opt	3.08	3.08
	Std		
4.2-LITER (302-CID) 2V V-8* — Automatic Overdrive	Opt	3.08	3.08
	Std		

\*Includes variable-venturi carburetor in California

\*\*Not available with Altitude Emission System

## COUGAR XR-7 DIMENSIONS AND CAPACITIES\*

	2-Door
Wheelbase .....	108.4
Overall Length .....	200.4
Overall Height .....	53.2
Overall Width .....	74.1
Tread, Front .....	58.1**
Rear .....	57.0**
FRONT, Head Room .....	37.6
Shoulder Room .....	56.0
Hip Room .....	55.9
Leg Room .....	42.7
REAR, Head Room .....	36.6
Shoulder Room .....	55.6
Hip Room .....	52.0
Leg Room .....	35.5
Luggage Capacity (cu. ft.) .....	17.7
Fuel Capacity (gals.) .....	21.0
Curb Weight (lbs.) .....	3152

\*Dimensions in inches unless otherwise stated

\*\*14-inch tires only; treads .25-inch wider with optional TR-type tires

## CHASSIS SPECIFICATIONS

Type of construction .....	Unitized body/frame	Springs .....	Coil
Front suspension, type .....	Hybrid MacPherson strut with spring on lower arm and stabilizer arm	Shock absorbers .....	Hydraulic
		Brakes, type .....	Power dual hydraulic, front disc/rear drum
Springs .....	Helical coil	Front disc diameter .....	10.1"
Shock absorbers .....	Integral with strut	Rear drum diameter .....	9.0" (10" with AOD transmission)
Steering type .....	Rack-and-pinion variable ratio with power assist	Total brake swept area ....	275.6 sq. in. (286.6 sq. in. with AOD)
Overall ratio .....	20.67:1 at center	Tire size - base vehicle .....	P195/75R14
Rear suspension, type .....	Four-bar link with stabilizer bar		

# COUGAR XR-7 OPTIONS

## Order Code ENGINES

**993 \*3.8-Liter (231-CID) 2V V-6** — Includes Automatic Overdrive Transmission. Includes variable-venturi carburetor in California.

Cougar XR-7 GS •	LS Option •
---------------------	----------------

**99D 4.2-Liter (255-CID) 2V V-8** — Includes Automatic Overdrive Transmission. Includes variable-venturi carburetor in California.

Cougar XR-7 GS •	LS Option •
---------------------	----------------

## AXLE

**45A Axle, Traction-Lok** — Requires conventional spare tire. Not available with TR-type tires.

Cougar XR-7 GS •	LS Option •
---------------------	----------------

## TIRES

**T7K P195/75R14 Puncture-Resistant WSW**

Cougar XR-7 GS •	LS Option •
---------------------	----------------

**T8A TR-Type Steel-Belted Radial-Ply WSW with Aluminum Wheels** — Not available with conventional spare tire, Traction-Lok axle or wheel covers.

Cougar XR-7 GS •	LS Option •
---------------------	----------------

**508 Conventional Spare Tire** — Replaces standard mini-spare tire with conventional spare tire and wheel. Mounts in center of deep-well trunk. Not available with TR-type tires. Required with Traction-Lok Axle.

Cougar XR-7 GS •	LS Option •
---------------------	----------------

## POWER ASSISTS

**91H Power Antenna** — Mounted in right front fender. Not available with AM Radio delete option.

Cougar XR-7 GS •	LS Option •
---------------------	----------------

**963 Power Lock Group** — Included with Keyless Entry System. Includes:  
• Power door locks  
• Power decklid release

Cougar XR-7 GS •	LS Option •
---------------------	----------------

\*New or revised for 1982

## Order Code

**53A Power Seat, Twin Comfort Lounge** — Six-way power driver's side only. Not available with Sport Seat option.

Cougar XR-7 GS •	LS Option •
---------------------	----------------

**64R Power Windows** — Requires tinted glass, complete.

Cougar XR-7 GS •	LS Option std
---------------------	------------------

## OTHER OPTIONS

**573 Air Conditioning, Automatic Temperature Control** — Tinted glass recommended.

Cougar XR-7 GS •	LS Option •
---------------------	----------------

**572 Air Conditioning, Manual Temperature Control** — Tinted glass recommended.

Cougar XR-7 GS •	LS Option •
---------------------	----------------

**94H Appearance Protection Group** — Includes:  
• Door edge guards  
• Color-keyed front floor mats  
• License plate frame (s)

Cougar XR-7 GS •	LS Option •
---------------------	----------------

**473 Autolamp On/Off/Delay System**

Cougar XR-7 GS •	LS Option •
---------------------	----------------

**637 Battery, Heavy-Duty** — 45-amp-hr. maintenance-free.

Cougar XR-7 GS •	LS Option •
---------------------	----------------

**153 Bracket, Front License Plate (No-Cost Option)** — Automatically installed in all states where front license plates are required.

Cougar XR-7 GS •	LS Option •
---------------------	----------------

**593 Chimes, Seat Belt Warning** — Replaces buzzer.

Cougar XR-7 GS •	LS Option std
---------------------	------------------

## OTHER OPTIONS (continued)

Order  
Code

- 512 Clock, Electronic Digital (Day/Date/Elapsed Time)** — Included with Electronic Instrument cluster. Not available with Tripminder option.

Cougar XR-7 GS •	LS Option •
---------------------	----------------

- 51Q Cornering Lamps, Front**

Cougar XR-7 GS •	LS Option •
---------------------	----------------

- 57Q Defroster, Electric Rear Window** — Required in New York State.

Cougar XR-7 GS •	LS Option •
---------------------	----------------

- 142 Diagnostic Warning Lights** — Includes lights for headlamps on, low fuel, low washer fluid, low beam, headlamp failure, taillamp failure, brake lamp failure and door ajar.

Cougar XR-7 GS •	LS Option •
---------------------	----------------

- 923 Glass, Tinted (Complete)** — Recommended with air conditioning. Required with power windows or vent windows.

Cougar XR-7 GS •	LS Option req
---------------------	------------------

- 47J Illuminated Entry System** — Included with Keyless Entry System.

Cougar XR-7 GS •	LS Option •
---------------------	----------------

- 132 Instrument Cluster, Electronic** — Includes:

- Digital speedometer
- Electronic graphic fuel gauge display
- Electronic transmission selector indicator
- Trip odometer
- Electronic digital (day/date/elapsed time) clock (deleted when ordered with Tripminder system)
- Black instrument panel applique, steering wheel shroud and steering wheel

Cougar XR-7 GS •	LS Option •
---------------------	----------------

- 144 Keyless Entry System** — Includes Power Lock Group and Illuminated Entry System (key may be used if desired.) Does not include automatic door lock feature with Sport Bucket Seat option. Not available with carriage roof.

Cougar XR-7 GS •	LS Option •
---------------------	----------------

\*New or revised for 1982

Order  
Code

- 943 Light Group** — Includes:
- Engine compartment light
  - Dual beam map/dome light
  - Instrument panel courtesy lights

Cougar XR-7 GS •	LS Option •
---------------------	----------------

- 60H LS Option** — See page 4.

Cougar XR-7 GS •	LS Option std
---------------------	------------------

- 543 Luggage Compartment Trim, Luxury** — Includes carpeting over floor, wheelhouses and shock towers, and carpeted mini-spare or conventional spare tire cover. Also includes lining boards for finished appearance.

Cougar XR-7 GS •	LS Option std
---------------------	------------------

- 621 Mirror, RH Remote-Control** — Bright window frame-mounted. Required with manual vent windows.

Cougar XR-7 GS •	LS Option std
---------------------	------------------

- 677 \*Mirrors, Dual Illuminated Visor Vanity**

Cougar XR-7 GS •	LS Option •
---------------------	----------------

- 68G Molding, Rocker Panel** — Included with lower body-side protection.

Cougar XR-7 GS •	LS Option •
---------------------	----------------

- Paint, Glamour** — See Color and Trim Selections chart, page 7.

Cougar XR-7 GS •	LS Option •
---------------------	----------------

- 952 Paint, Tu-Tone** — See page 9.

Cougar XR-7 GS •	LS Option •
---------------------	----------------

- 67R Parking Brake Release, Automatic**

Cougar XR-7 GS •	LS Option •
---------------------	----------------

- 61P Protection, Lower Bodyside** — Lower body vinyl coating for increased road abrasion protection. Includes rocker panel molding.

Cougar XR-7 GS •	LS Option •
---------------------	----------------

## OTHER OPTIONS (continued)

Order Code

**583 \*Radio, AM/FM Monaural** — Includes dual instrument panel speakers. Not available with Premium Sound System.

Cougar XR-7 GS •	LS Option •
---------------------	----------------

**584 Radio, AM/FM Stereo** — Includes dual rear speakers.

Cougar XR-7 GS •	LS Option •
---------------------	----------------

**585 Radio, AM/FM Stereo with 8-Track Tape** — Includes dual rear speakers.

Cougar XR-7 GS •	LS Option •
---------------------	----------------

**587 Radio, AM/FM Stereo with Cassette Tape** — Includes dual rear speakers.

Cougar XR-7 GS •	LS Option •
---------------------	----------------

**581 Radio, Electronic AM/FM Stereo Search** — Includes dual rear speakers.

Cougar XR-7 GS •	LS Option •
---------------------	----------------

**58W Radio, Electronic AM/FM Stereo Search with 8-Track Tape Player** — Includes dual rear speakers.

Cougar XR-7 GS •	LS Option •
---------------------	----------------

**586 Radio, Electronic AM/FM Stereo Search with Cassette Tape Featuring Dolby® Noise Reduction** — Includes dual rear speakers.

Cougar XR-7 GS •	LS Option •
---------------------	----------------

**58Y Radio Credit, Standard** — Deletes standard AM radio. Not available with Premium Sound System.

Cougar XR-7 GS •	LS Option •
---------------------	----------------

**86A Roof, Carriage** — Simulated convertible roof appearance. Not available with flip-up/open air roof, Keyless Entry System or luxury half vinyl roof. Deletes standard wide door belt moldings.

Cougar XR-7 GS •	LS Option •
---------------------	----------------

**21C Roof, Flip-Up/Open Air** — Includes glass roof panel. Not available with Carriage Roof.

Cougar XR-7 GS •	LS Option •
---------------------	----------------

\*New or revised for 1982

Order Code

**86D Roof, Half Vinyl Delete**

Cougar XR-7 GS •	LS Option •
---------------------	----------------

**86E Roof, Vinyl Rear Half, Luxury** — Fully padded with color-keyed roof wrapover molding with bright edges and Coach lamps, XR-7 lettering, color-keyed vinyl retention moldings and bright rear window molding.

Cougar XR-7 GS •	LS Option •
---------------------	----------------

**Seats, Bucket Low-Back with Console**

Cougar XR-7 GS •	LS Option na
---------------------	-----------------

**88N Seats, Sport Bucket** — Includes Sport bucket seats, cloth trim and console.

Cougar XR-7 GS •	LS Option na
---------------------	-----------------

**913 Sound System, Premium** — Includes additional door-mounted speakers, upgraded rear speakers and supplemental amplifier. Not available with AM or AM/FM monaural radios, or standard radio credit. Requires a stereo radio.

Cougar XR-7 GS •	LS Option •
---------------------	----------------

**589 Speakers, Dual Rear Seat** — Mount in package tray. Available only with standard AM or optional AM/FM monaural radio. Standard with all stereo radios.

Cougar XR-7 GS •	LS Option •
---------------------	----------------

**525 Speed Control, Fingertip** — Includes luxury steering wheel and "resume" feature. Required with leather-wrapped steering wheel.

Cougar XR-7 GS •	LS Option •
---------------------	----------------

**524 Steering Wheel, Leather-Wrapped** — Requires speed control.

Cougar XR-7 GS •	LS Option •
---------------------	----------------

**52Q Steering Wheel, Tilt**

Cougar XR-7 GS •	LS Option •
---------------------	----------------

**662 Suspension, Heavy-Duty** — Includes:  
• Heavy-duty front and rear shock absorbers  
• Heavy-duty front and rear springs  
• Heavy-duty front stabilizer bar

Cougar XR-7 GS •	LS Option •
---------------------	----------------



## OTHER OPTIONS (continued)

Order  
Code

**Trim, All Vinyl** — Available with Twin Comfort Lounge seats. Standard with bucket seats. Not available with Sport Bucket Seat option.

Cougar XR-7 GS •	LS Option na
---------------------	-----------------

**Trim, Leather and Vinyl Twin Comfort Lounge**

Cougar XR-7 GS na	LS Option •
----------------------	----------------

**135 \*Tripminder** — Available with 3.8-liter (49 states only) or 4.2-liter engine and air conditioning. Not available with Electronic Digital Clock. Includes electronic digital clock, trip odometer and computes trip functions.

Cougar XR-7 GS •	LS Option •
---------------------	----------------

**643 Vent Windows, Pivoting Front** — Requires RH remote-control mirror and tinted glass, complete.

Cougar XR-7 GS •	LS Option •
---------------------	----------------

**655 Wheel Covers, Luxury (4)** — Not available with TR-type tires.

Cougar XR-7 GS •	LS Option std
---------------------	------------------

**654 \*Wheel Covers, Wire (4)** — Not available with TR-type tires. Includes locking feature.

Cougar XR-7 GS •	LS Option •
---------------------	----------------

**172 Wipers, Interval Windshield**

Cougar XR-7 GS •	LS Option •
---------------------	----------------

## LIMITED PRODUCTION (LPO)

**428 \*Altitude Emission System** — Not available with 3.3L engine, Tripminder or California Emission System. Required in specified high altitude counties.

Cougar XR-7 GS •	LS Option •
---------------------	----------------

**422 California Emission System** — Required in California. Not available with Altitude Emission System, Tripminder or in 49 states.

Cougar XR-7 GS •	LS Option •
---------------------	----------------

**12Q Floor Mats, Front Color-Keyed** — Fleet option only. Included in Appearance Protection Group.

Cougar XR-7 GS •	LS Option •
---------------------	----------------

\*New or revised for 1982

Order  
Code

**13H Heater, Engine Block Immersion**

Cougar XR-7 GS •	LS Option •
---------------------	----------------

**922 Tinted Glass, Windshield Only** — Fleet option only. Not available where tinted glass, complete, is required.

Cougar XR-7 GS •	LS Option •
---------------------	----------------

**T71 Tires, P185/75R14 BSW** — Fleet option only. Deletes standard P195/75R14 WSW tires.

Cougar XR-7 GS •	LS Option •
---------------------	----------------